

FM10

10.4inch Vehicle Computer Mounts with Intel Atom® E3845



KEY FEATURES

- Intel® Quad Core Atom® E3845 Processor Windows Vehicle Computer Mounts
- 10.4" 1024 x 768 Panel with anti-scratch resistive touch screen
- Field replaceable front panel to reduce service costs
- Magnesium alloy housing
- IP65 waterproof and dustproof
- Wide range operating temperature

INTRODUCTION

Discontinued

SPECIFICATIONS

Display

Resolution	1024x768	Size	10.4 inches
Contrast Ratio	1200:1	Panel Brightness	400 nits 800 nits(Optional)
View Angles	88,88,88,88	Type	Resistive Touch
Touch Mode	Support Stylus Mode		

System Specification

Processor	Intel Atom E3845 1.91GHz	Memory	1 x SO-DIMM, DDR3L 1600 MHz, 4GB 8GB (Optional)
Storage	1 x M.2 2242 SSD 128GB 256GB (Optional)	Security	TPM 1.2
Operating System	Windows 10 IoT Enterprise (64 bit) Windows 7 Professional for Embedded System (Optional) Windows Embedded Standard 7 (Optional)	WLAN	Support
BT	Support	WWAN	4G/LTE (Optional)
GNSS	GPS/AGPS	Sensors	G-Sensor, Light Sensor, Temp Sensor

Camera

Front Camera	2MP Camera
---------------------	------------

Environment

Operating Humidity	5% to 90% RH, Non-Condensing	Operating Temperature	-30°C to 50°C
Storage Temperature	-30°C to 60°C	Shock	MIL-STD-810G Method 516.6 Procedure I
Vibration	MIL-STD-810G Method 514.6 Procedure I	IP rating	IP65

Impact	Support EN62262 IK07 Rating	ESD	Compliant with EN 61000-4-2, enhanced ESD to ±12kV direct & ±15kV air
---------------	-----------------------------	------------	---

Certification

Certification	CE, FCC FCC (Electromagnetic Emissions), IC (ICES-003) UL60950-1, EN60950-1, PTCRB
----------------------	--

Control

Button	1 x Power Button, 6 x Function Button (Programmable Function Key Configured by Winset)
---------------	---

IO Ports

USB Port	1 x USB 3.0(Tablet) 1 x DB9 Connector for 2 x USB 2.0 Port(Docking)	Serial Port	2 x COM Port(Docking)
SD Card Slot	1 x Micro SD Card Slot(Tablet)	SIM Card Slot	1 x SIM Card Slot(Tablet)
Audio	2 x Speaker(Docking) 1 x CANBus or 1 x Audio(Docking)	LAN	1 x Gigabit LAN port(Docking)
Indicator	6 x LED Indicator (WLAN, BT, UPS battery, HDD, Screen Blanking, Heater)	CANBUS	1 x CANBUS / Audio

Mechanical

Dimension	Tablet: 268 x 214 x 35 mm (10.6 x 8.42 x 1.37 inches) Docking: 202 x 245 x 52 mm (7.9 x 9.6 x 2.04 inches)	Weight	Tablet 1.7 kg (3.75 lbs) Docking 1.6 kg (3.53 lbs)
Mounting	RAM Mount/ VESA Mount	Cooling System	Fanless Design
Docking Housing	Aluminum Alloy Housing		

Security Function

SOTI MobiControl	SOTI MobiControl Compliance
-------------------------	-----------------------------

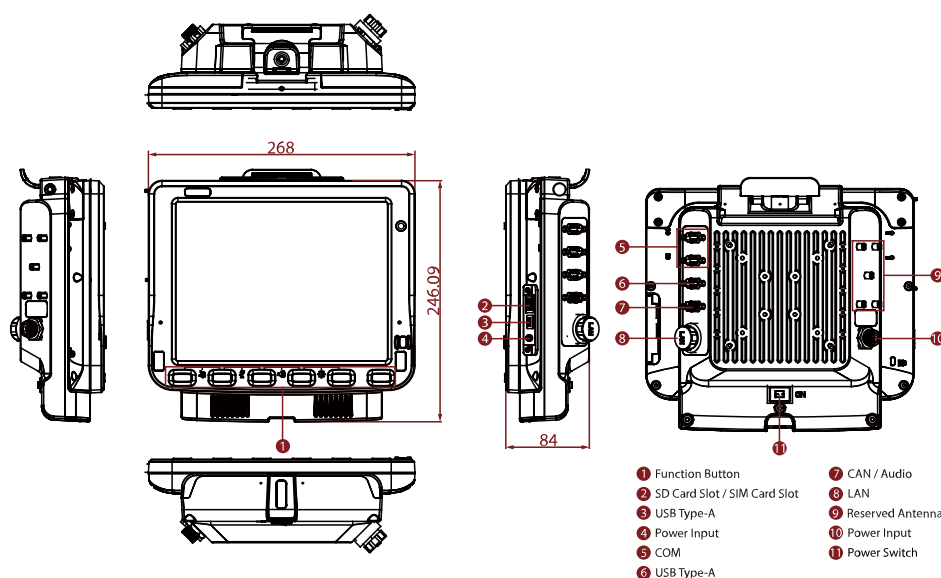
Accessory

Accessory	5M Power Cable with Fuse Kit 0.3M USB Cable 0.15M Power Converter Cable DC Jack Power Cable 84W Adapter with power cable Cable Clamp Kit Wi-Fi Antenna x 2 Quick Start Guide External Antenna Fixing Bracket Dock + Latch Locking Key Stylus Kit + Screw	Optional Accessory	1.8M RS232 Cable 0.3M Audio Cable 1.8M CAN BUS Cable 1.8M CAN BUS Open Wire Cable 2M IP65 LAN Cable GPS & LTE 2M Combo Antenna(VM240) GPS & LTE 5M Combo Antenna (VM9C) Magnetic Combo Antenna (VM10S) WWAN Antenna
------------------	--	---------------------------	---

Power

Battery	7.6V UPS Battery (2S1P) Minimum 30 minutes	Power Rating	Docking: 10V-60V with ignition control Tablet: 12V DC In
Consumption	30W (Typical)		

DIMENSIONS UNIT:MM



NOTE

- Total usable memory will be less dependent upon actual system configuration.
- SOTI is available upon request.
- Length measurements do not include protrusions. Weight varies with options.
- Measured at dimming LCD brightness. Varies depending on the usage conditions, or when an external device is attached.
- Accessories may vary depending on your configuration.
- This is a simplified drawing and some components are not marked in detail.
- The product shown in this datasheet is a standard model. For diagrams that contain customized or optional I/O, please contact the Winmate Sales Team for more information.
- COM port can supply 5V power via the 9th pin.